

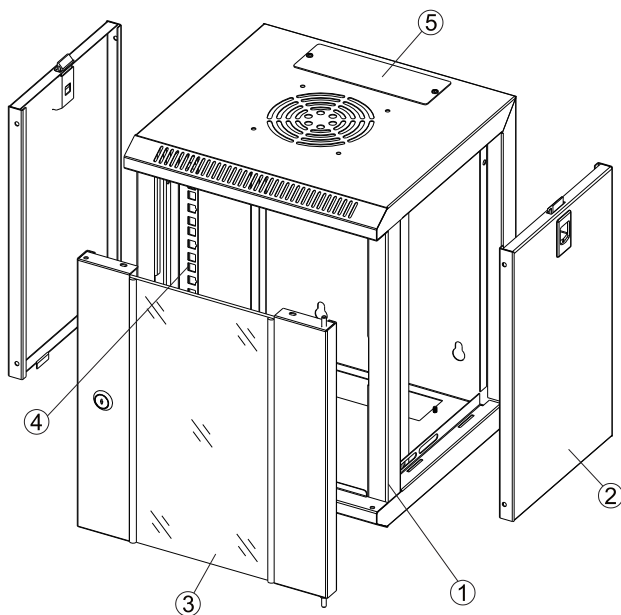
AMD SERIES 10"WALL MOUNTED CABINET

■ Features

- Closable top/bottom cable entry openings.
- Removable side panels and front/back doors for operation and watching.
- Doors can be opened from the left or right .
- Top cover is available to fans.

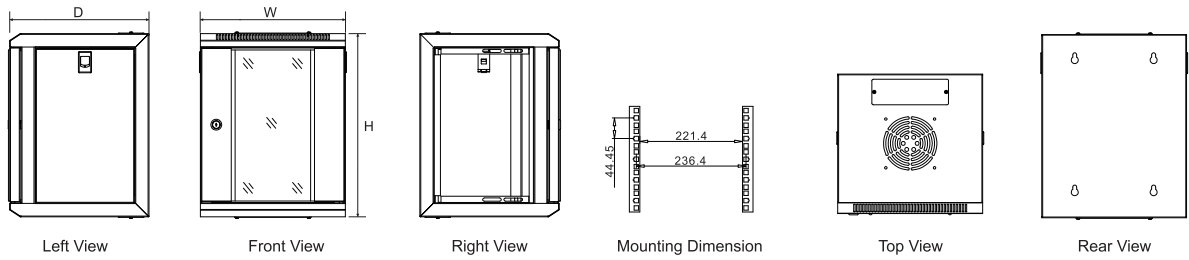


■ Components of AMD Series Wall Mounted Cabinet



S/N	Name	Quantity
1	Frame	1
2	Side panel	2
3	Front door	1
4	Vertical rail	2
5	Cable entry	2

■ Main Dimension



■ Specifications

Model	Capacity (U)	Dimension	BU Packing Dimension	
		W*D*H(mm)	W*D*H(mm)	Volume (CBM)
SX-AMD3306	6	312*300*350	330*320*370	0.039
SX-AMD3309	9	312*300*483	330*320*500	0.053
SX-AMD3312	12	312*300*616	330*320*635	0.067

Note:

- 1.Package: Build-up(BU)
- 2.Hardwares: 12 sets cage nuts

Color:

RAL9005	RAL7035

Material:

SPCC Cold Rolled Steel

Optional Accessories:

- 1.Fixed Shelf
- 2.Sliding Shelf
- 3.Cable Management
- 4.Cooling Solution
- 5.Air Flow Management
- 6.PDU