

ARB SERIES 2-POST OPEN FRAME RACK

Stecmax ARB Series 2-Post Open Frame Racks for networking applications in IT environments.

ARB Series 2-Post Open Frame Rack is an ideal for space constrained or cost conscious 19-inch rack mount applications. Multiple units can be bolted together side by side.

The additional rack depth provides extra room for high density equipment and cable needs.

■ Highlights

- Solid structure, modular design, easy mounting.
- Low cost, easy disassemble, delivery and assemble.
- Many accessories optional according to requirement.
- Can be supplied CKD Package (Completely Knock Down).

■ Features

A. Marked and numbered rack-mount spaces (U)



Easy and quick position of equipment with U mark and square hole for cage nuts.

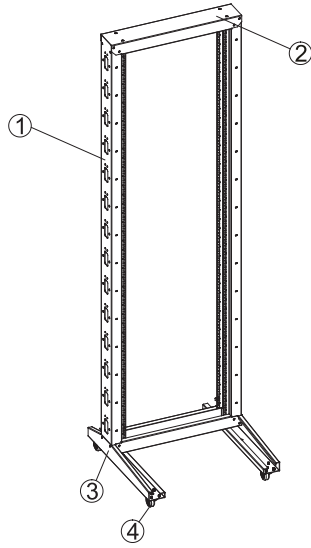
B. 4pcs Castor (2pcs with brake)



Castors provide easy moving and displacement.

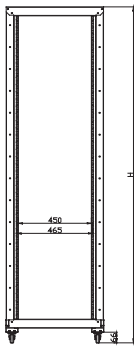


■ Components of ARB Series 2-Post Open Frame Rack

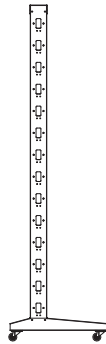


S/N	Name	Quantity(pcs)
1	Pole	2
2	Horizontal beam	2
3	Plinth	2
4	Caster(2 with brake)	4

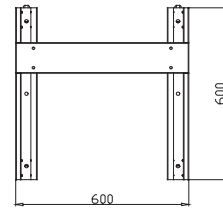
■ Main Dimension



Front View



Side View



Top View

■ Specifications

Note:

1. Hardware: 20 sets cage nuts.

Color:

RAL9005	RAL7035

Material:

SPCC Cold Rolled Steel.

■ How to Define Our Model

SX- ARB6622

SX- A R B 6 6 22

